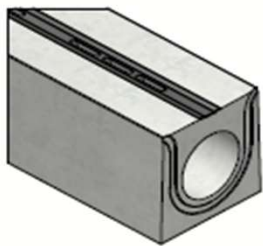
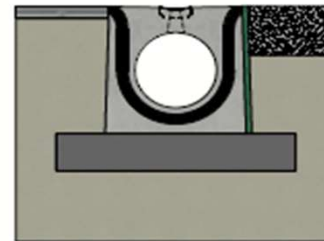


DELTA-O slot channel DN300 - serie SB - Type I



EPDM pressure joint



Installation guidelines Type I
(consult our detailed instructions)



Load class:	D400-E600-F900 cf EN1433
Absorption surface cm ² /m:	185
Slot type:	steel
Edges:	concrete
Section cm ² :	726
Concrete type:	C60/75
Environmental class:	XD3-XF4-XC4-XA3
Durability:	W+R
Length:	4000
Slope:	0
Gradient surface:	centric 1%
Connection type:	pressure joint
Lifting:	2 x lifting key
Installation guidelines:	specifications manufacturer
Standard:	in conformity with EN1444
Weight kg:	1883





Technical datasheet

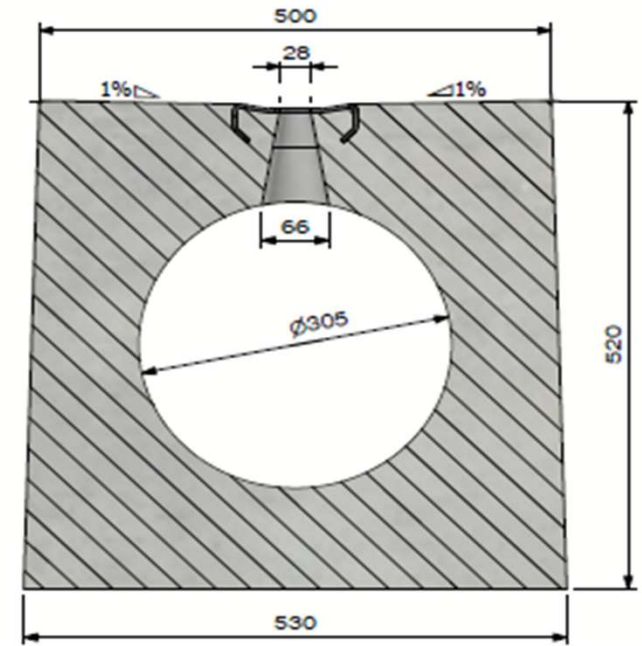
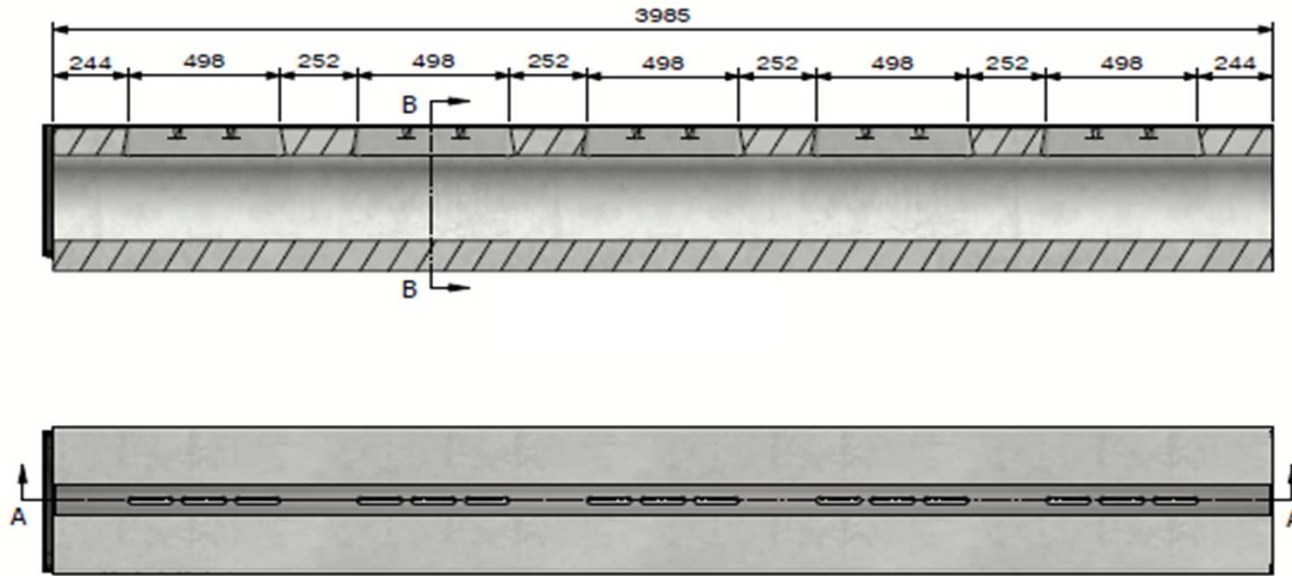
Art. n°:	DELTA-O3004000SB		
Rev.n°:	0	REV.Date:	05/04/2023



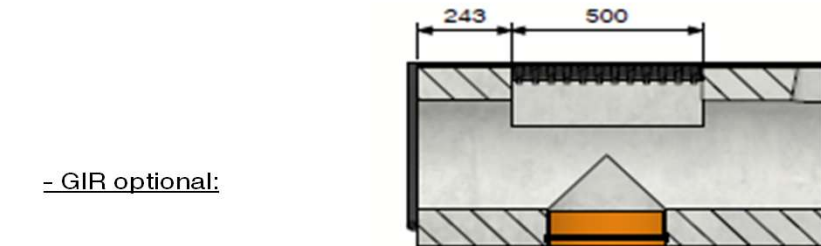




DELTA-O slot channel DN300 - serie SB - Type I



View B



- GIR optional:

- Integrated inspection grating
- D400-E600
- Sealable
- Bottom drain optional



DE BONTE GROUP PUSHING CONCRETE FURTHER

Technical datasheet

Art. n°:	DELTA-O3004000SB		
Rev.n°:	0	REV.Date:	05/04/2023





