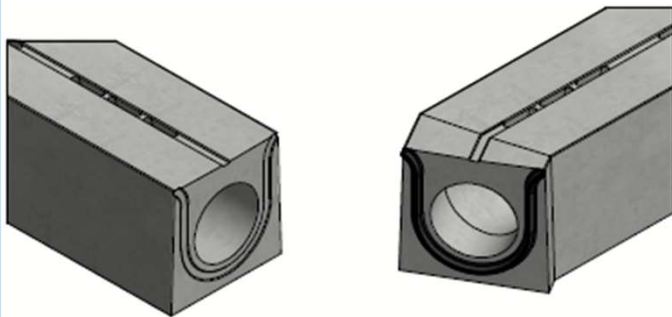
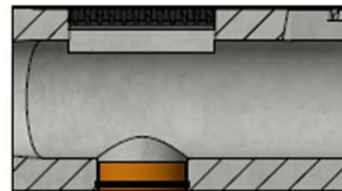


# DELTA-O slot channel DN400 - corner element 2,5°-7,5°-15°-30° - Type I



EPDM pressure joint

- GIR optional:



Integrated inspection grating  
 - D400-E600  
 - Sealable  
 Bottom drain optional



Load class:	D400-E600-F900 cf EN1433
Absorption surface cm <sup>2</sup> /m:	185
Slot type:	N/A
Edges:	N/A
Section cm <sup>2</sup> :	1295
Concrete type:	C60/75
Environmental class:	XD3-XF4-XC4-XA3
Durability:	W+R
Length:	4000
Slope:	0
Gradient surface:	centric 1%
Connection type:	pressure joint
Lifting:	2 x lifting key
Installation guidelines:	specifications manufacturer
Standard:	in conformity with EN1442
Weight kg:	2604





**Technical datasheet**

Art. n°:	DELTA-O4004000BB-HKV		
Rev.n°:	0	REV.Date:	05/04/2023







# DELTA-O slot channel DN400 - corner element 2,5°-7,5°-15°-30° - Type I

For series BB/BS/SS/SB

