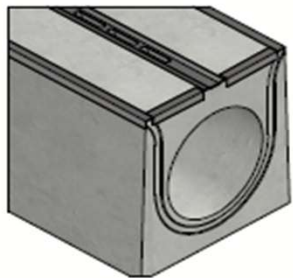
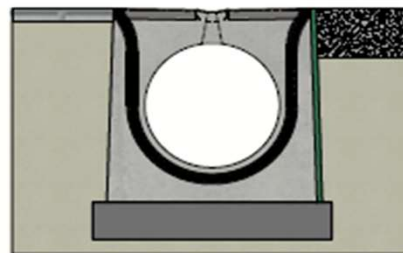
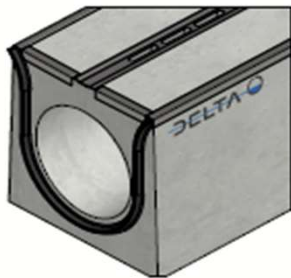


DELTA-O slot channel DN500 - serie SS - Type I



EPDM pressure joint



Installation guidelines Type I
(consult our detailed instructions)



Load class:	D400-E600-F900 of EN1433
Absorption surface cm ² /m:	185
Slot type:	steel
Edges:	steel
Section cm ² :	2010
Concrete type:	C60/75
Environmental class:	XD3-XF4-XC4-XA3
Durability:	W+R
Length:	4000
Slope:	0
Gradient surface:	centric 1%
Connection type:	pressure joint
Lifting:	2 x lifting key
Installation guidelines:	specifications manufacturer
Standard:	in conformity with EN1448
Weight kg:	3964





Technical datasheet

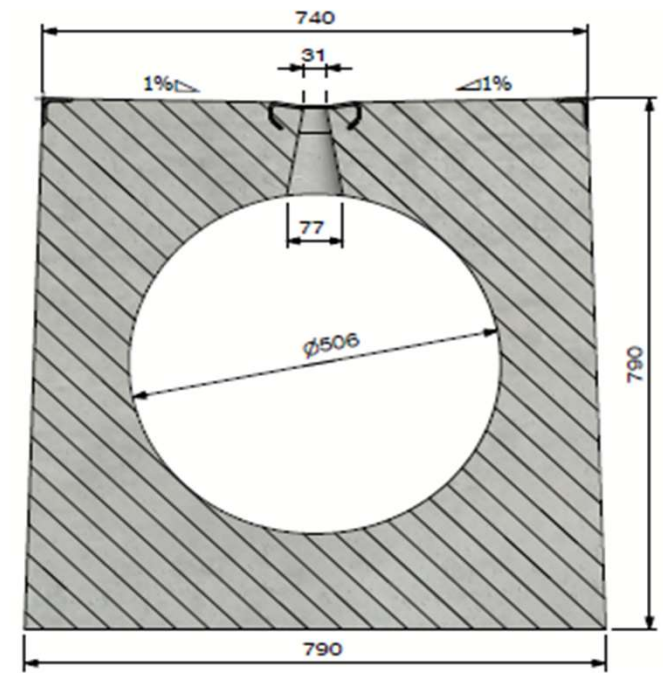
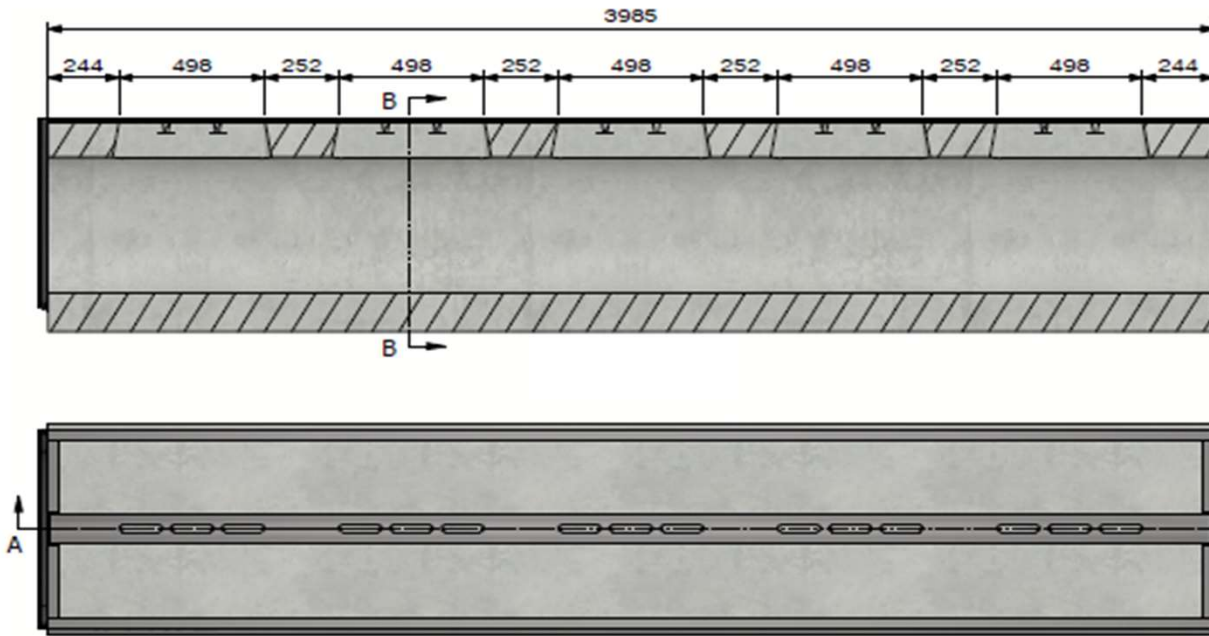
Art. n°:	DELTA-O5004000SS		
Rev.n°:	0	REV.Date:	05/04/2023



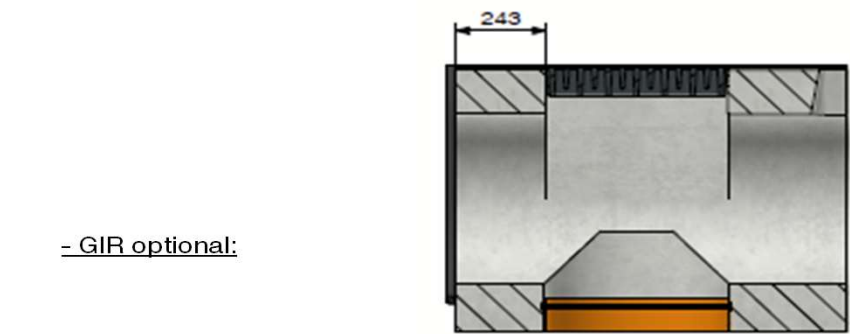




DELTA-O slot channel DN500 - serie SS - Type I



View B



- GIR optional:

- Integrated inspection grating
- D400-E600
- Sealable
- Bottom drain optional





Technical datasheet

Art. n°:	DELTA-O5004000SS		
Rev.n°:	0	REV.Date:	05/04/2023





