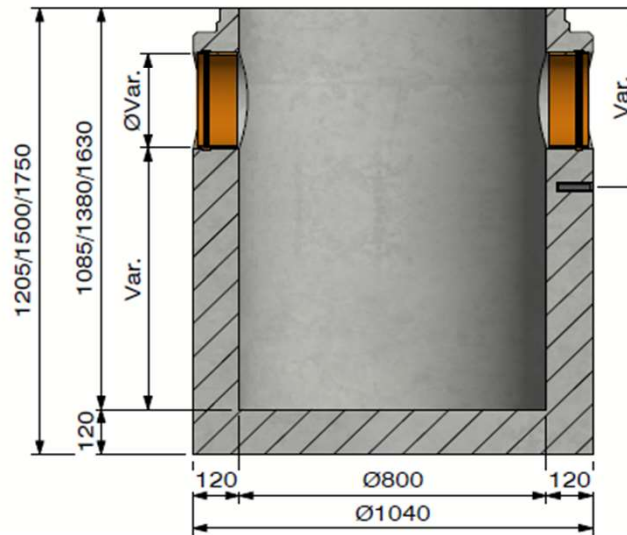
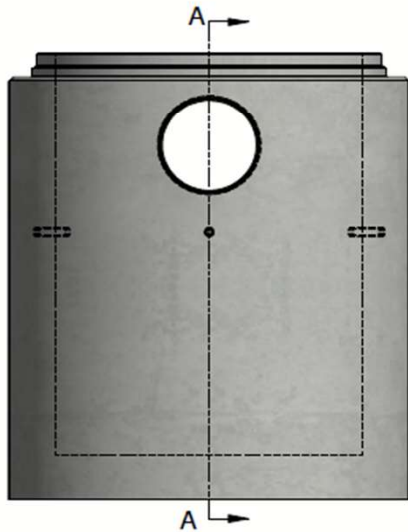


DELTA desilter Ø800



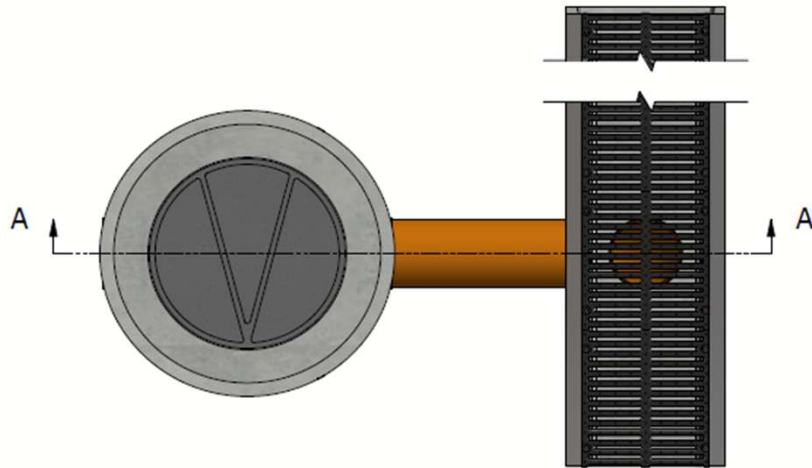
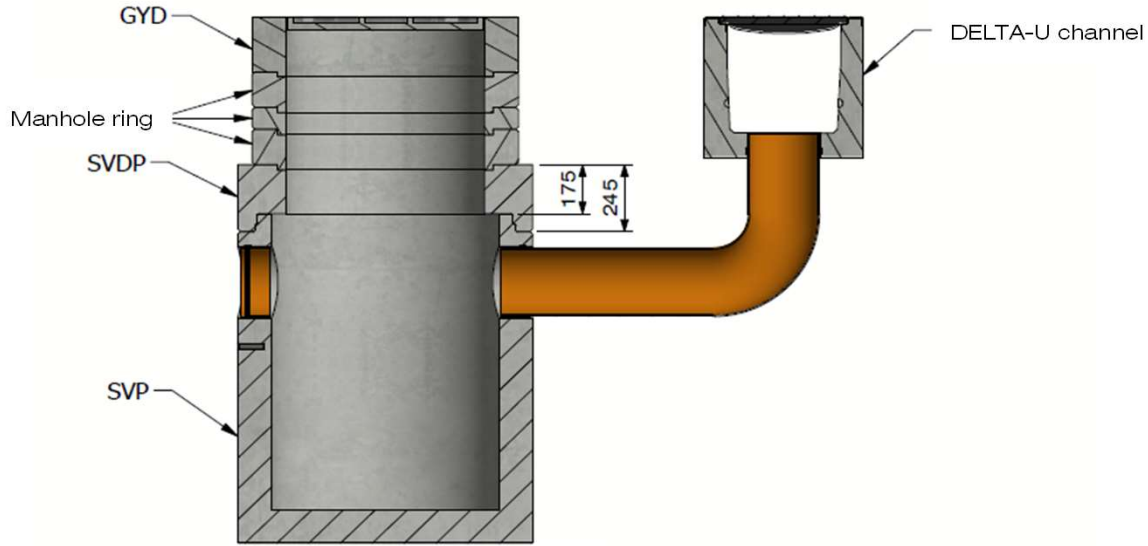
Load class:	D
Absorption surface cm ² /m:	N/A
Slot type:	N/A
Edges:	N/A
Section cm ² :	N/A
Concrete type:	C60/75
Environmental class:	XD3-XF4-XC4-XA3
Durability:	N/A
Length:	N/A
Slope:	N/A
Gradient surface:	N/A
Connection type:	N/A
Lifting:	3 x hijsanker M16
Installation guidelines:	0
Standard:	PTV101
Weight kg:	1,127 Ton / 1,382 Ton / 1,598 Ton



Technical datasheet

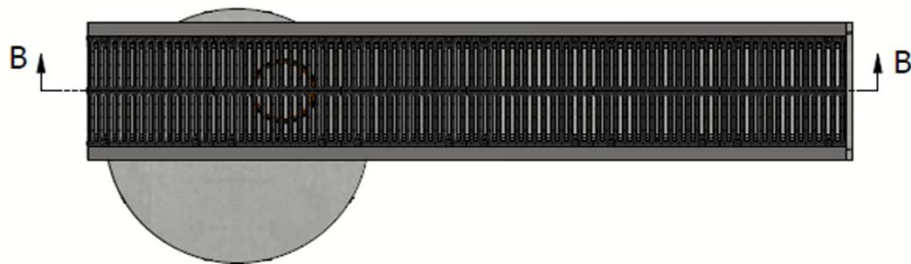
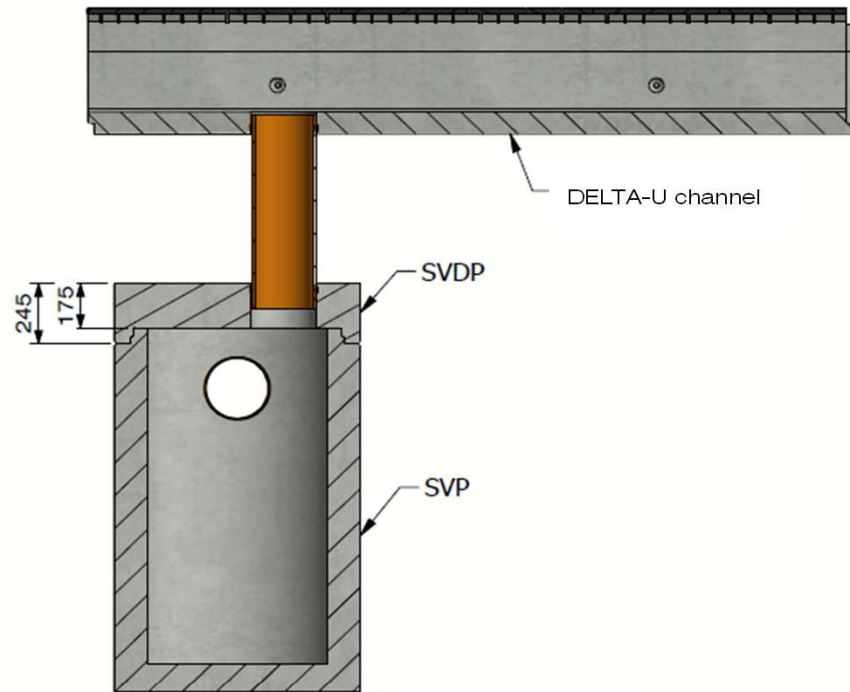
Art. n°:	DELTA-SVP0800		
Rev.n°:	0	REV.Date:	05/04/2023

DELTA desilter Ø800



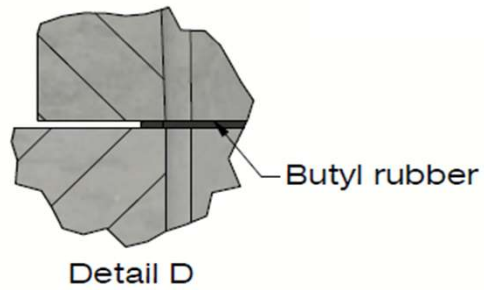
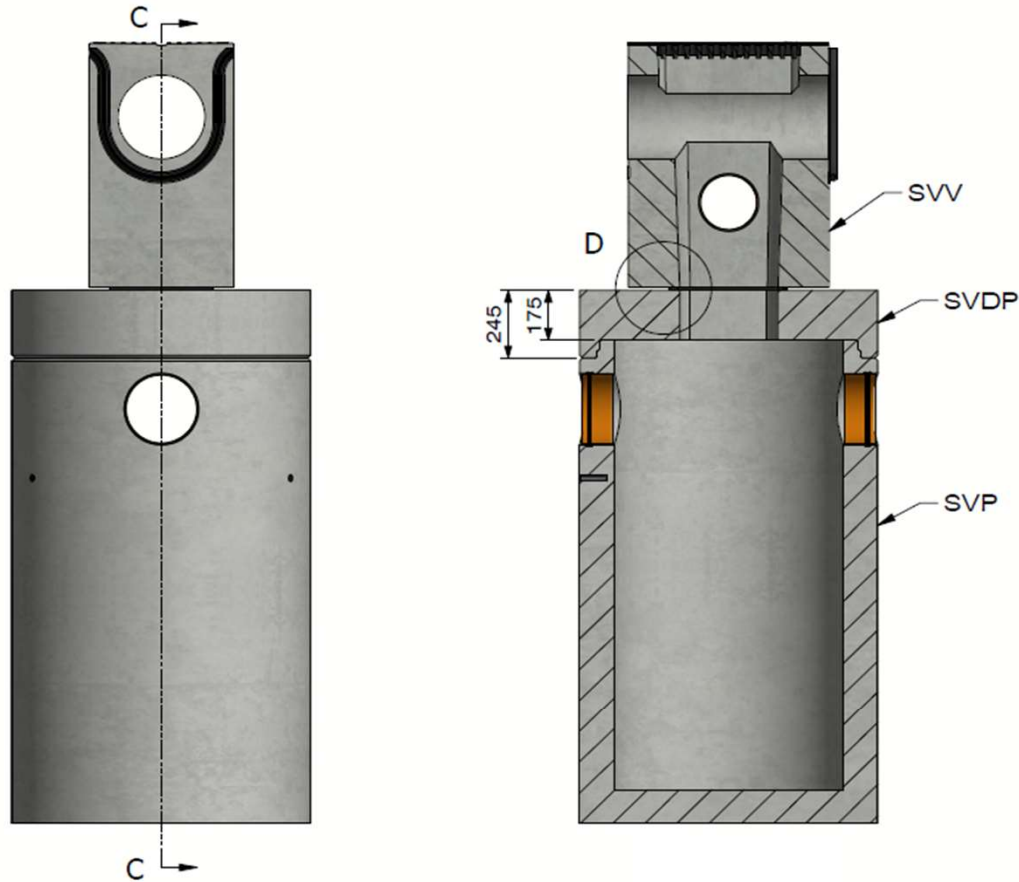
Technical datasheet	
Art. n°:	DELTA-SVP0800
Rev.n°:	0
REV.Date:	05/04/2023

DELTA desilter Ø800



<p>PUSHING CONCRETE FURTHER</p>	
<p>Technical datasheet</p>	
Art. n°:	DELTA-SVP0800
Rev.n°:	0
REV.Date:	05/04/2023

DELTA desilter Ø800



 <small>PUSHING CONCRETE FURTHER</small>	
Technical datasheet	
Art. n°:	DELTA-SVP0800
Rev.n°:	0
REV.Date:	05/04/2023