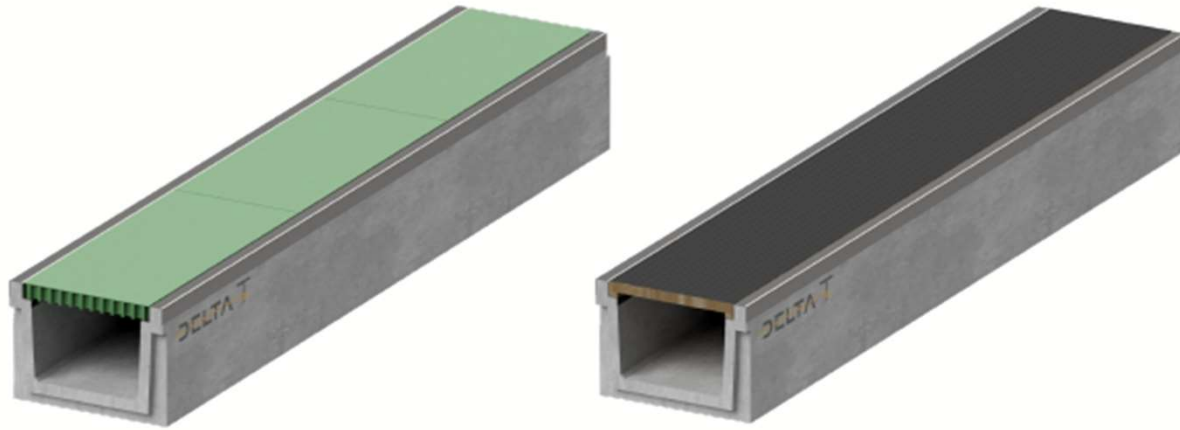
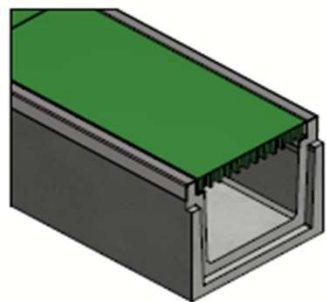


# DELTA-T CHANNEL 400x300 SERIE G060 TYPE I



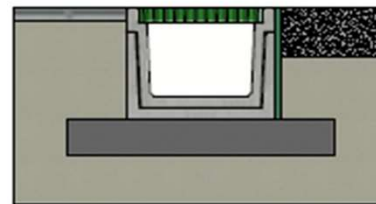
Load class:	B125-C250 of EN1433
Absorption surface cm <sup>2</sup> /m:	N/A
Slot type:	N/A
Edges:	galvanised steel
Section cm <sup>2</sup> :	1200
Concrete type:	C60/75
Environmental class:	XD3-XF4-XC4-XA3
Durability:	W+R
Length:	3000
Slope:	0
Gradient surface:	N/A
Connection type:	Tongue and groove
Lifting:	4 x DH 1,3T
Installation guidelines:	specifications manufacturer
Standard:	tested according EN1434
Weight kg:	875



C250: FRP



B125: Plywood



Installation guidelines Type I  
(consult our detailed instructions)





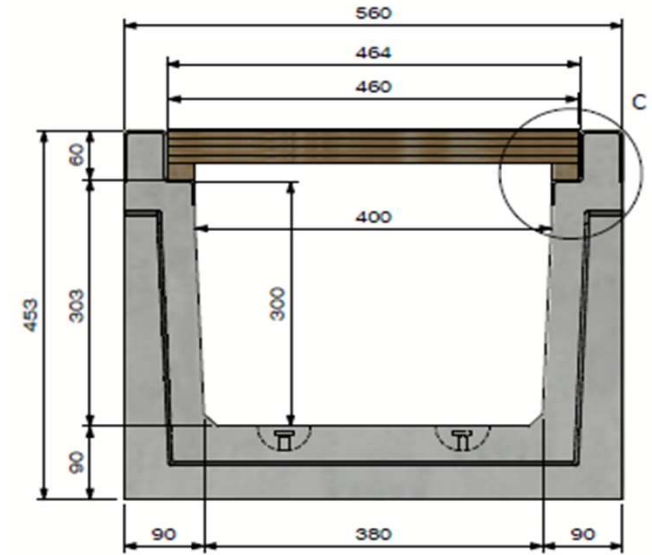
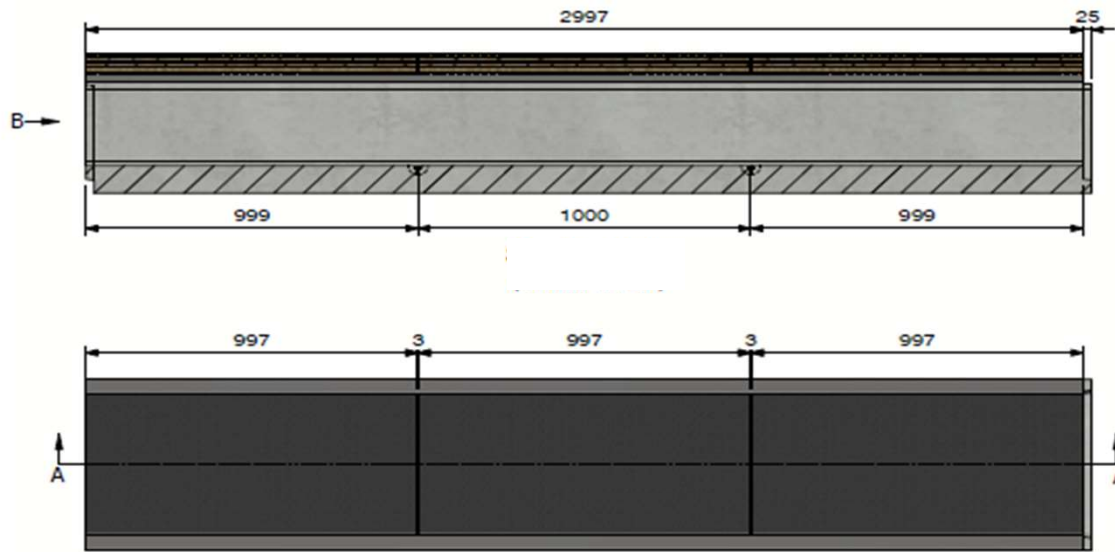
---

**Technical datasheet**

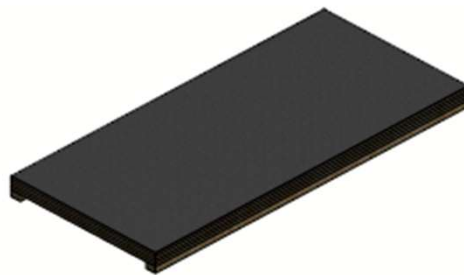
Art. n°:	DELTA-T4003003000G060		
Rev.n°:	0	REV.Date:	05/04/2023



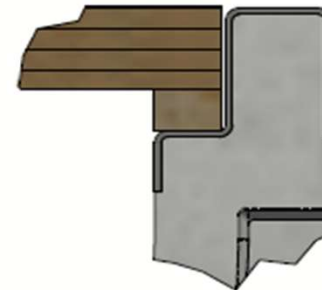

# DELTA-T CHANNEL 400x300 SERIE G060 TYPE I



View B



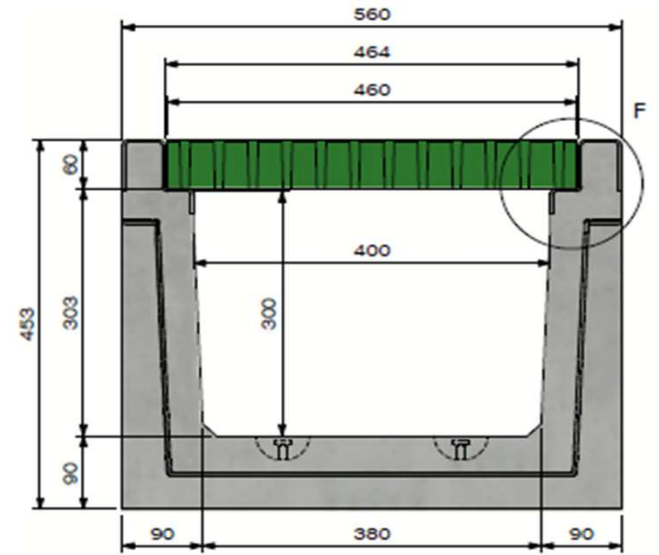
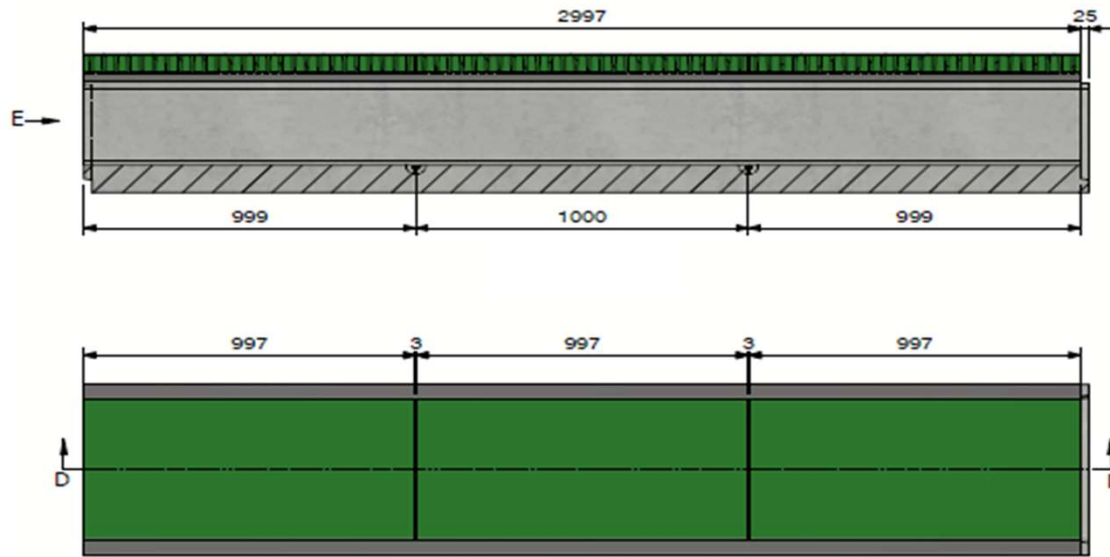
B125: Plywood



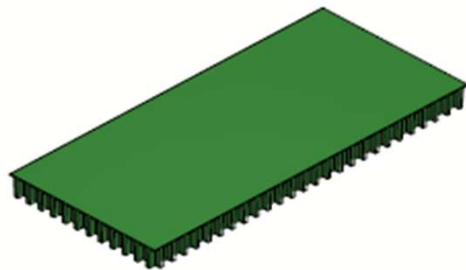
Detail C

<b>DELTA T</b>	
 <b>DE BONTE GROUP</b> <small>PUSHING CONCRETE FURTHER</small>	
<b>Technical datasheet</b>	
Art. n°:	DELTA-T4003003000G060
Rev.n°:	0
REV.Date:	05/04/2023
 	

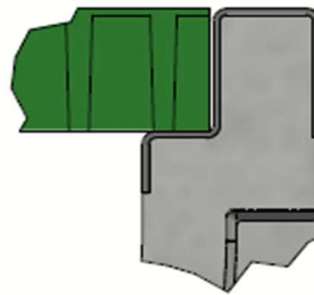
# DELTA-T CHANNEL 400x300 SERIE G060 TYPE I



View B



C250: FRP



Detail F

<b>DELTA T</b>	
 DE BONTE GROUP PUSHING CONCRETE FURTHER	
<b>Technical datasheet</b>	
Art. n°:	DELTA-T4003003000G060
Rev.n°:	0
REV.Date:	05/04/2023
 	