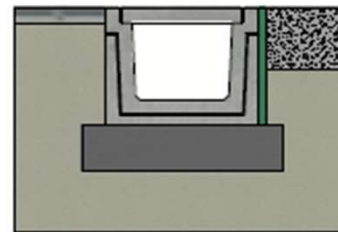
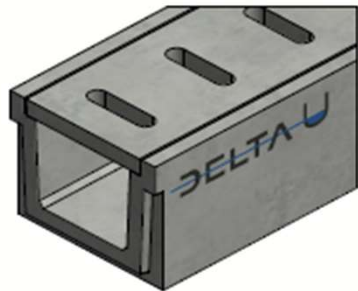
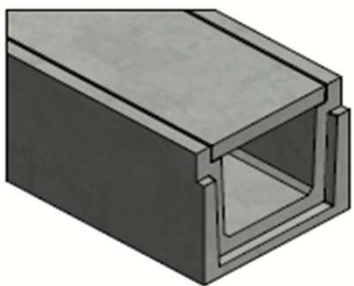



# DELTA-U CHANNEL 300x250 SERIES B050 TYPE I




Installation guidelines Type I  
(consult our detailed instructions)






Load class:	A15 of EN1433
Absorption surface cm <sup>2</sup> /m:	N/A
Slot type:	N/A
Edges:	concrete
Section cm <sup>2</sup> :	750
Concrete type:	C60/75
Environmental class:	XD3-XF4-XC4-XA3
Durability:	W+R
Length:	2000
Slope:	0
Gradient surface:	N/A
Connection type:	Tongue and groove
Lifting:	4 x DH 1,3T
Installation guidelines:	specifications manufacturer
Standard:	in conformity with EN1433
Weight kg:	503



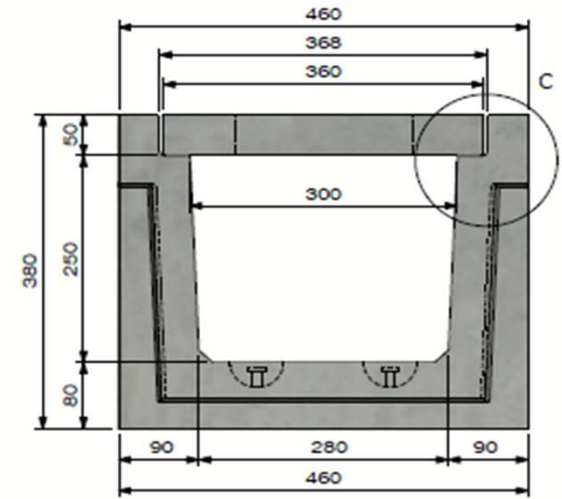
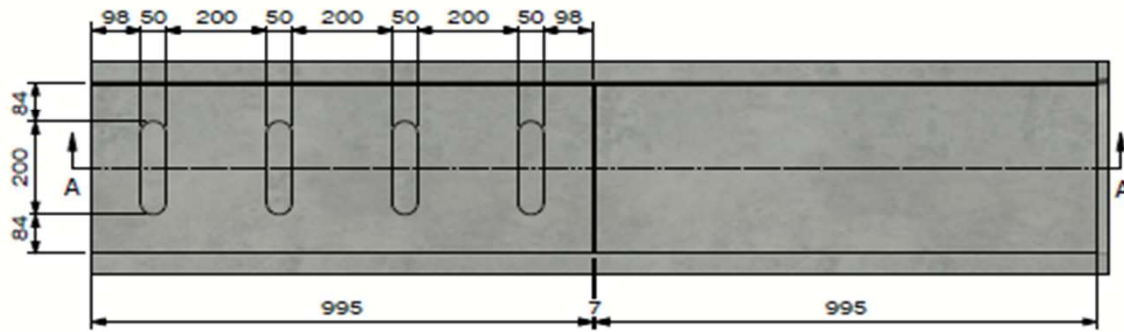
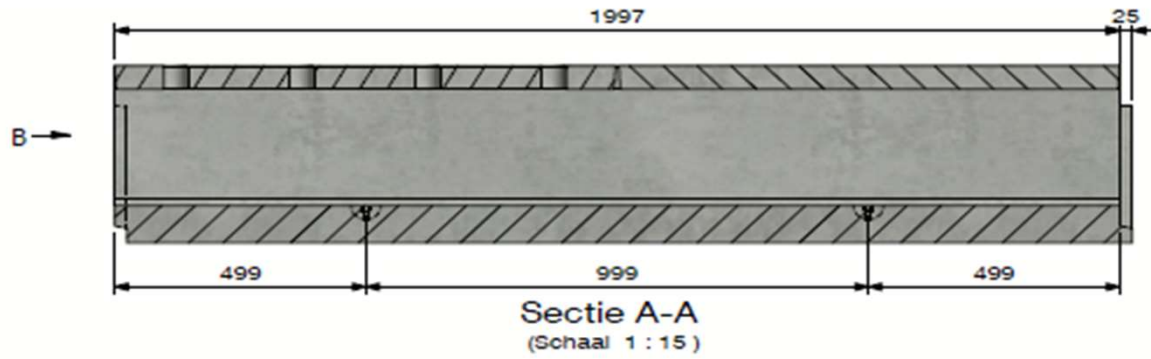


**Technical datasheet**

Art. n°:	DELTA-U3002502000B050A	
Rev.n°:	0	REV.Date: 05/04/2023

# DELTA-U CHANNEL 300x250 SERIES B050 TYPE I



View B





**Technical datasheet**

Art. n°:	DELTA-U3002502000B050A	
Rev.n°:	0	REV.Date: 05/04/2023

