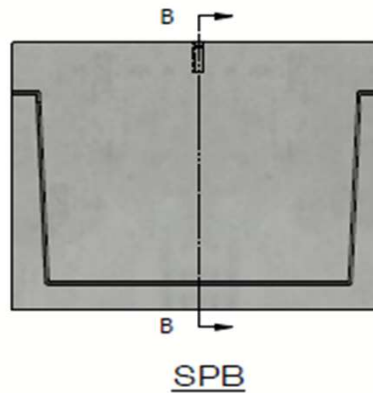
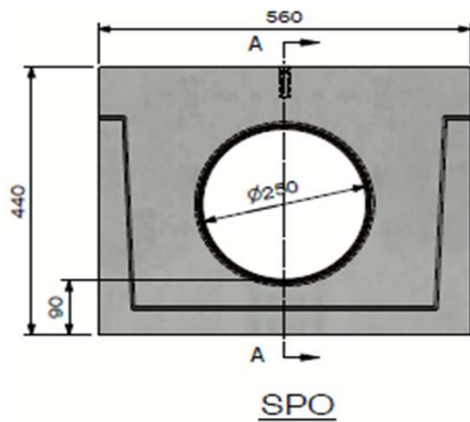


# End plate DELTA-U 400-300-B050 TONGUE



|  |                             |
|--|-----------------------------|
| Load class:                            | N/A                         |
| Absorption surface cm <sup>2</sup> /m: | N/A                         |
| Slot type:                             | N/A                         |
| Edges:                                 | concrete                    |
| Section cm <sup>2</sup> :              | N/A                         |
| Concrete type:                         | C60/75                      |
| Environmental class:                   | XD3-XF4-XC4-XA3             |
| Durability:                            | W+R                         |
| Length:                                | 100                         |
| Slope:                                 | N/A                         |
| Gradient surface:                      | N/A                         |
| Connection type:                       | Tongue and groove           |
| Lifting:                               | 1 x M12 lifting insert      |
| Installation guidelines:               | specifications manufacturer |
| Standard:                              | N/A                         |
| Weight kg:                             | 48                          |





**Technical datasheet**

|          |                          |           |            |
|----------|--------------------------|-----------|------------|
| Art. n°: | DELTA-U400300B050SP-TAND |           |            |
| Rev.n°:  | 0                        | REV.Date: | 05/04/2023 |