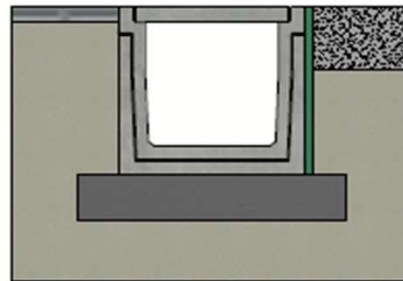
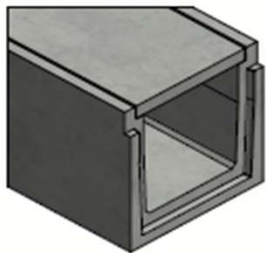



# DELTA-U CHANNEL 400x400 SERIES B050 TYPE I



Installation guidelines Type I  
(consult our detailed instructions)




Load class:	A15 of EN1433
Absorption surface cm <sup>2</sup> /m:	N/A
Slot type:	N/A
Edges:	concrete
Section cm <sup>2</sup> :	1600
Concrete type:	C60/75
Environmental class:	XD3-XF4-XC4-XA3
Durability:	W+R
Length:	3000
Slope:	0
Gradient surface:	N/A
Connection type:	Tongue and groove
Lifting:	4 x DH 1,3T
Installation guidelines:	specifications manufacturer
Standard:	in conformity with EN1433
Weight kg:	1075



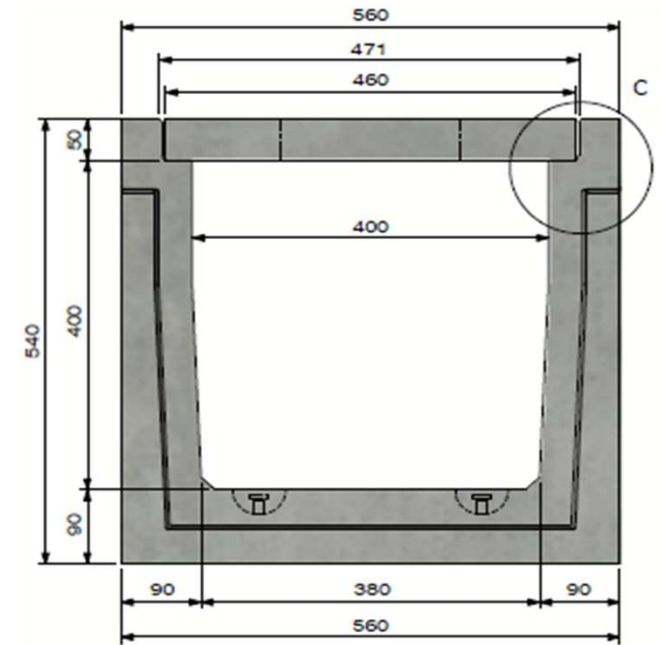
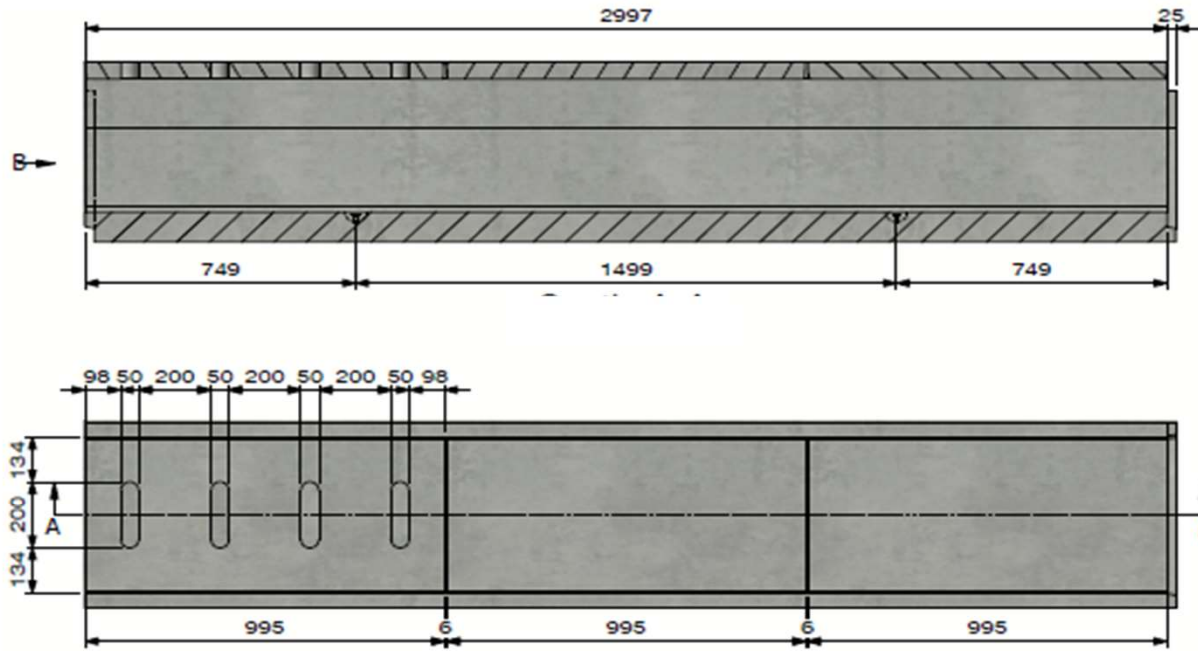


**Technical datasheet**

Art. n°:	DELTA-U4004003000B050A		
Rev.n°:	0	REV.Date:	05/04/2023


# DELTA-U CHANNEL 400x400 SERIES B050 TYPE I



View B



Detail C

<b>DELTA U</b>	
 <b>DE BONTE GROUP</b> <small>PUSHING CONCRETE FURTHER</small>	
<b>Technical datasheet</b>	
Art. n°:	DELTA-U4004003000B050A
Rev.n°:	0
REV.Date:	05/04/2023
  	

