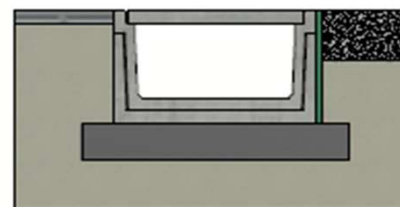
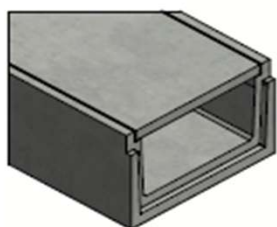


DELTA-U CHANNEL 600x300 SERIES B050 TYPE I



Load class:	A15 of EN1433
Absorption surface cm ² /m:	N/A
Slot type:	N/A
Edges:	concrete
Section cm ² :	1800
Concrete type:	C60/75
Environmental class:	XD3-XF4-XC4-XA3
Durability:	W+R
Length:	2000
Slope:	0
Gradient surface:	N/A
Connection type:	Tongue and groove
Lifting:	4 x DH 1,3T
Installation guidelines:	specifications manufacturer
Standard:	in conformity with EN1433
Weight kg:	811



Installation guideline Type I
(consult our detailed instructions)





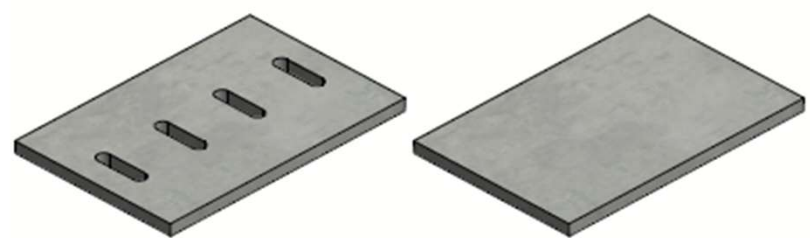
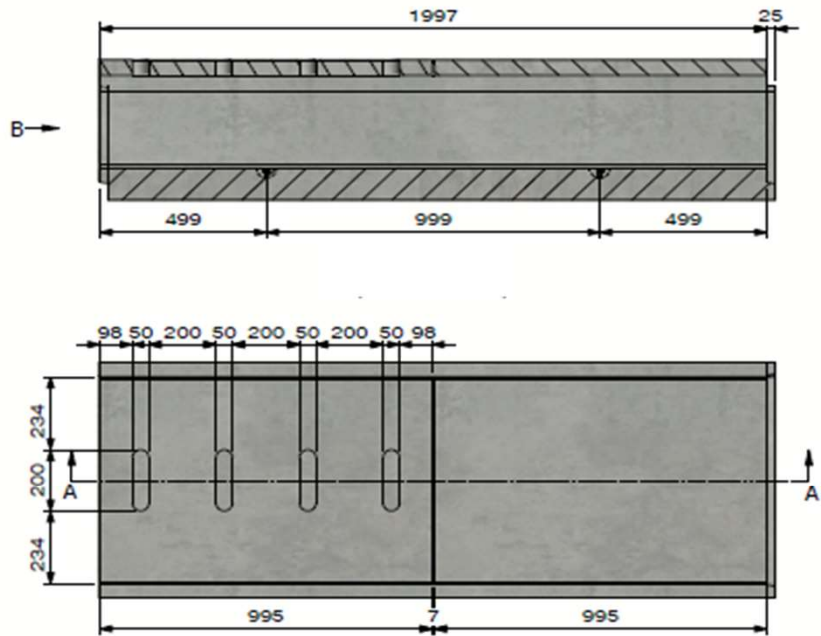
Technical datasheet

Art. n°:	DELTA-U6003002000B050A		
Rev.n°:	0	REV.Date:	05/04/2023

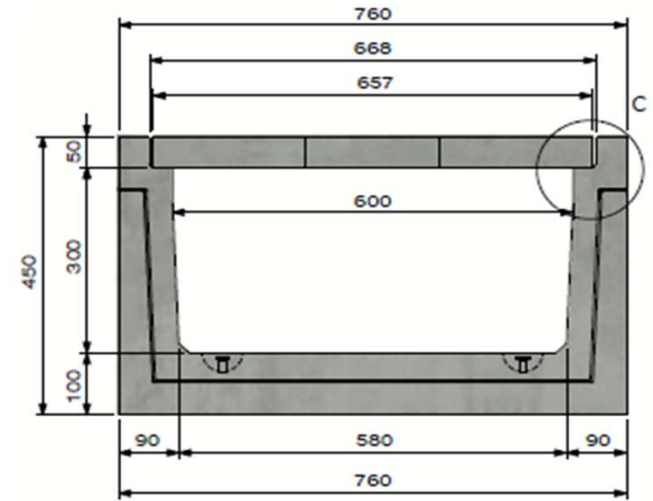





DELTA-U CHANNEL 600x300 SERIES B050 TYPE I



Detail C



View B

DELTA U	
 DE BONTE GROUP PUSHING CONCRETE FURTHER	
Technical datasheet	
Art. n°:	DELTA-U6003002000B050A
Rev.n°:	0
REV.Date:	05/04/2023
